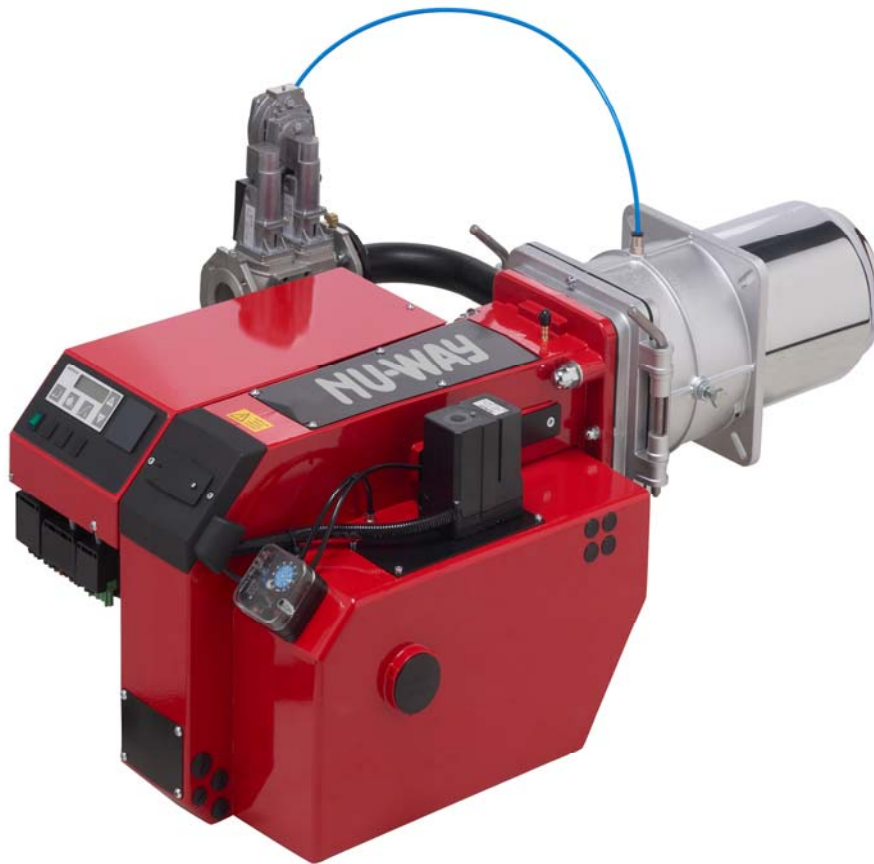


MGN 2100 / 2500 / 2800 GAS BURNER

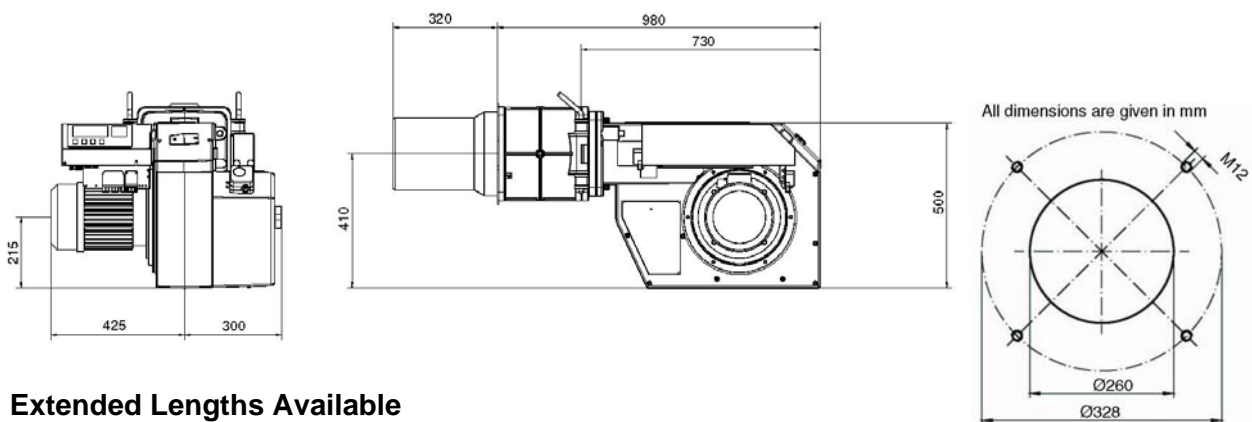
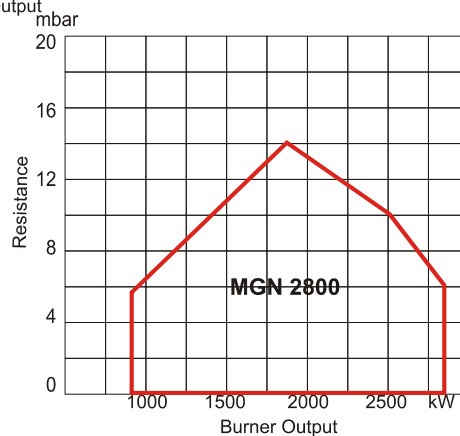
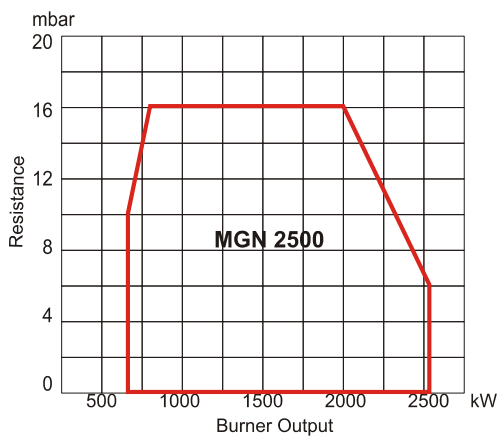
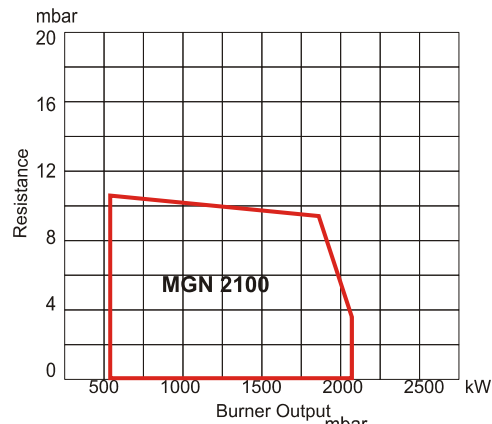
533 - 2800 kW



- Energy saving and compatible with environmental requirements
- Quiet in operation and designed for easy maintenance
- Designed and approved in accordance with the European Standard EN 676
- Plug-in contact facilitates the installation
- Hinged flange
- Designed for two-stage or modulating operation
- Available for natural gas, LPG, town gas, biogas
- All kW ratings are in nett CV

NU-WAY

Type		MGN 2100	MGN 2500	MGN 2800
Capacity	kW	533-2148	639-2539	793-2800
Motor	V/Hz	400 / 50	400 / 50	400 / 50
	kW/A (Fuse) + Control fuse	4.0 / 3 x 20 + 1 x 10	4.5 / 3 x 20 + 1 x 10	5.5 / 3 x 20 + 1 x 10
Start/Run Current	Amps	14.5 / 10.2	16.5 / 11.4	22.5 / 15.5
Control box		MPA 22	MPA 22	MPA 22
Flame monitoring		IRD	IRD	IRD
Operation mode		2 stage or modulating		
Gross weight	kg	115	120	125



Extended Lengths Available

PLASMA ENERGY CO.,LTD.

98/13 MOO1 NAKORNIN RD. T.BANGKUWEANG
A.BANGKRUAI.NONHABURI 11130 (THAILAND)
Tel: (662) 449-4900 (Auto)
FAX: (662) 496-2247
e-mail :info@plasma-energy.co.th
website : http://www.plasma-energy.co.th