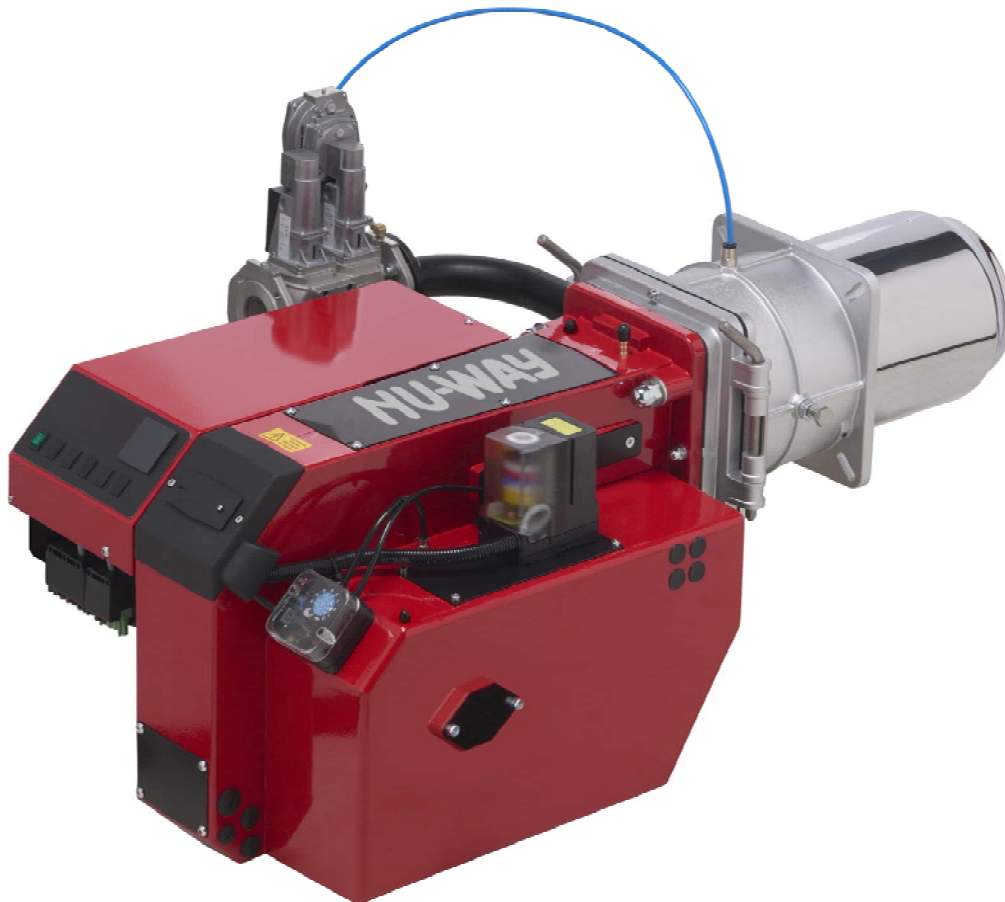


MGN 860 / 1350-LN GAS BURNER

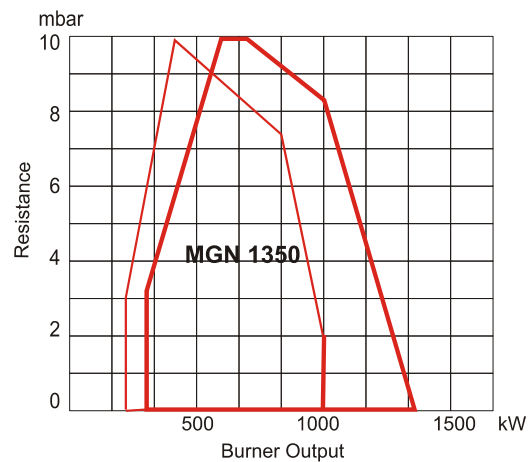
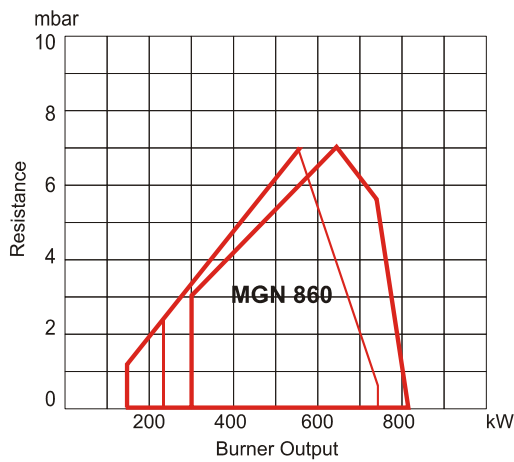
225 - 1350 kW



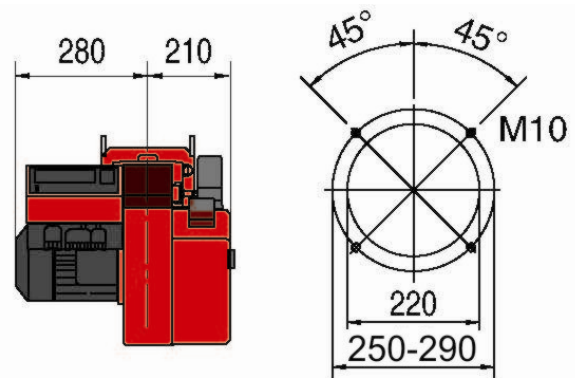
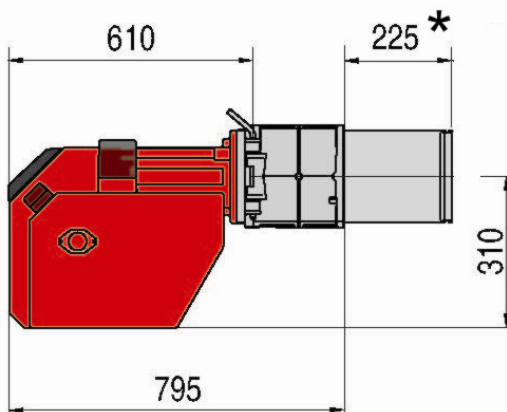
- Energy saving and compatible with environmental requirements
- Quiet in operation and designed for easy maintenance
- Designed and approved in accordance with the European Standard EN 676
- Plug-in contact facilitates the installation
- Hinged flange
- Designed for two-stage or modulating operation
- Available for natural gas, LPG, town gas, biogas
- Low NOx as standard <math><80\text{ mg/kWh}</math>
- All kW ratings are in nett CV

NU-WAY

Type	MGN 860-LN		MGN 1350-LN
Capacity	kW		225-860
Motor	V/Hz	400 / 50	400 / 50
	kW/A (Fuse) + Control fuse	1.1 / 3 x 16 + 1 x 10.0	2.2 / 3 x 16 + 1 x 10.0
Start/Run Current	Amps	6.5 / 3.6	8.0 / 4.6
Control box	DMG 972 / MPA 22		DMG 972 / MPA 22
Flame monitoring	Ionisation / IRD 1020		
Operation mode	2 stage or modulating		
Gross weight	kg	45	48
Noise emission	dBA	≤ 78	



— Burner head "closed" - - - Burner head "open"



*** Extended lengths Available**

PLASMA ENERGY CO.,LTD.

98/13 MOO1 NAKORNIN RD. T.BANGKUWEANG
A.BANGKRUI. NONTABURI 11130 (THAILAND)
Tel: (662) 449-4900 (Auto)
FAX: (662) 496-2247
e-mail :info@plasma-energy.co.th
website : http://www.plasma-energy.co.th