

# MOL 795 OIL BURNER

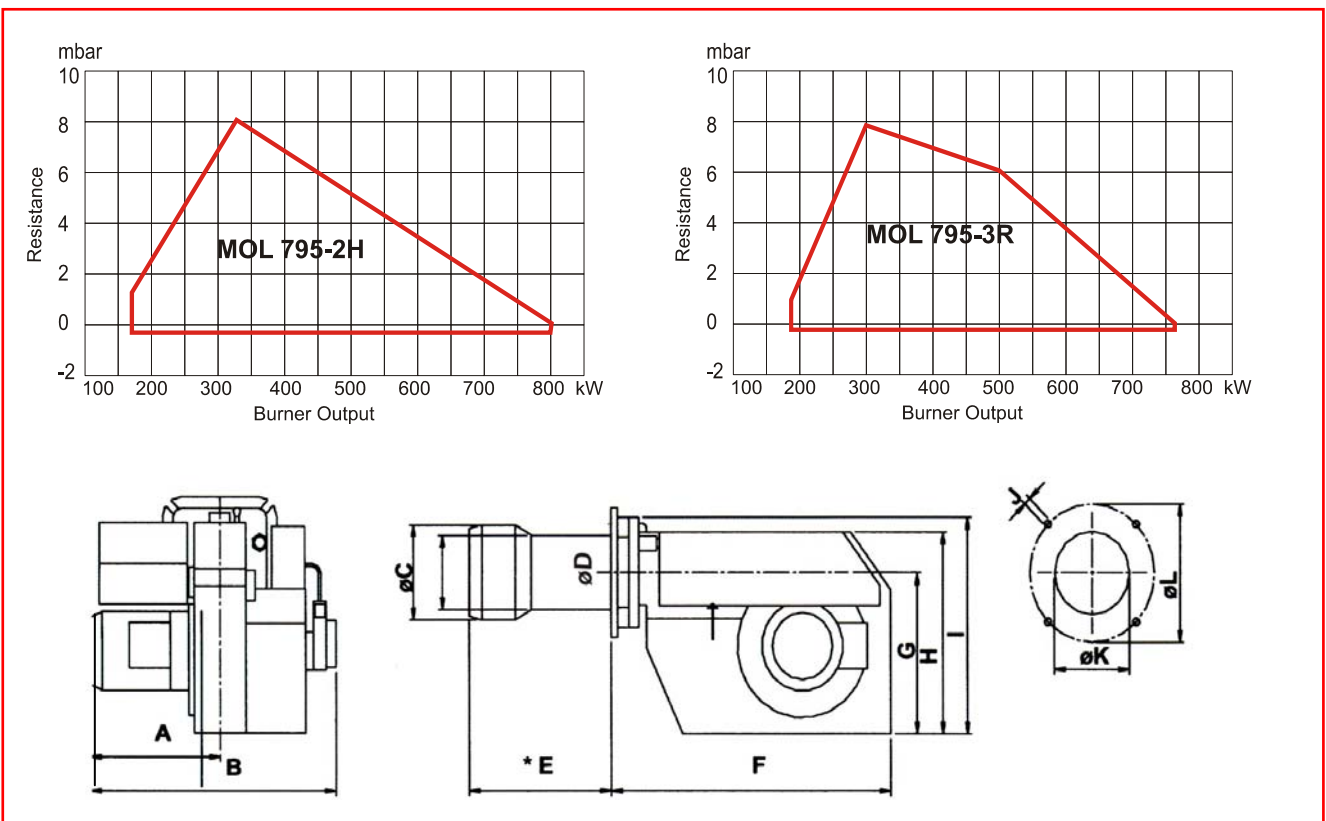
166-795 kW



- Energy saving and compatible with environmental requirements
- Quiet in operation and designed for easy maintenance
- Reliable and trouble-free
- Designed and approved in accordance with the European Standard EN 267
- Suitable for high resistance boilers
- Industry standard components easily available
- Designed for high/low operation
- Plug-in contact facilitates the installation
- With hydraulic or servo motor air adjustment
- Optional diffuser plate optimiser
- All kW ratings in nett CV

**NU-WAY**

Type	MOL 795-2H		MOL 795-3R
Capacity	Kw	166-795	166-795
Motor	V/Hz W / A (Fuse) + A (control fuse)	400 / 50 750 / 3 x 16 + 6	400 / 50 750 / 3 x 16 + 6
Start / Run Current	Amps	9.3 / 2.1	9.3 / 2.1
Control box		Landis & Staefa	Landis & Staefa
Fuel pump		Danfoss	Danfoss
2-Stage		•	•
Gross weight	kg	50	50
Volume	m <sup>3</sup>	0.30	0.30



Burner	A	B	øC	øD	E*	F	G	H	I	J	øK	L
MOL 795	290	595	160	155	273	610	321	400	405	M12	165	254-295

\* Extended Lengths Available

	2-nozzle	3-nozzle	Servo motor	Hydraulic air regulation	Diffuser plate optimiser
MOL 795	•		•		
MOL 795-2H	•			•	
MOL 795-3R		•	•		•

**PLASMA ENERGY CO.,LTD.**

98/13 MOO1 NAKORNIN RD. T.BANGKUWEANG  
A.BANGKRUAI. NONTHABURI 11130 ( THAILAND )  
Tel: (662) 449-4900 (Auto)  
FAX: (662) 496-2247  
e-mail :info@plasma-energy.co.th  
website : http://www.plasma-energy.co.th